

Data Sheet

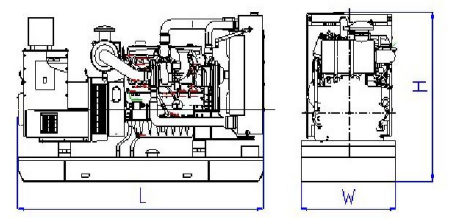
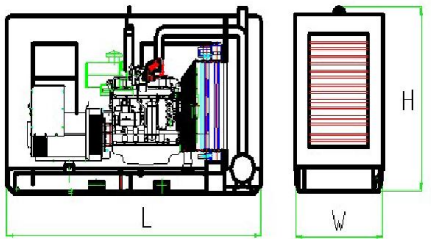
ENLP16.5-3

Standby power : 16.5KVA/13.2KW

Prime power : 15KVA/12KW

Standard features

- Engine: PERKINS , 403A-15G2
- Charge alternator : 12V
- Governor : Mechanical
- Generator : LEROY SOMER , LSA40 VS2
- Single bearing alternator IP 23
- Insulation class H/H
- Radiator 50°C max with coolant cap
- Skid and vibration isolators
- Dry type air filter
- Main line circuit breaker
- 12V battery and cable
- Industrial muffler
- User's manual

	<p>Open Type</p> <p>Overall size (L*W*H) 1320mm×700mm×1160mm</p> <p>Weight: 480kg</p>
	<p>Silent Type</p> <p>Overall size (L*W*H) 1856mm×826mm×1415mm</p> <p>Weight: 734kg</p>

Generator Ratings

3-PH, 60Hz@1800RPM, 480/277V (Also Can Be Made According To Customers' Special Requirements)

Voltage	Hz	Phase	Power factor	Standby AMP	Standby rating (KVA/KW)	Primerating (KVA/KW)
480/277	60	3	0.8	18	15/12	13/10

Engine data

Manufacturer/Model	PERKINS 403A-15G2 4-cycle
Cylinder /Arrangement	3/ L
Displacement	1.496 L
Bore and Stroke	84 mm×90 mm
Compression ratio	22.5 : 1
Rated RPM	1500 RPM
Max. stand by power at rated RPM	13.5 KW
Frequency regulation , steady state	± 0.75%
Governor : type	Mechanical

Data Sheet

Exhaust System

Exhaust gas flow	2.9m ³ /min
Exhaust temperature	490°C
Max back pressure	10.2kPa

Fuel System

Fuel consumption 100% (of the Prime Power)	3.67L / h
--	-----------

Oil System

Total oil capacity w/filters	6.0L
------------------------------	------

Air intake

Engine air flow	1.1 m ³ /min
-----------------	-------------------------

Coolant System

Radiator & engine capacity	6.0 L
Max water temperature	112°C
Thermostat	82-95°C

Generator Data

Optional: STAMFORD, MARATHON, MECALETE, SMF.

Alternator Model	LSA40 VS2 (LEROY SOMER) Please Refer To The“ Genset Main Technical Data”
Phase/Connect	3-phase 4-wire ,Y type connection
Excitation Model	Self-excite,automatic voltage regulation,Insulation:H,Brushless,Enclosure:IP21—IP23
Power Factor	0.8
The regulating rate of instantaneous voltage:	-15%~ +20%
The time of steady voltage:	≤1.5sec
The waving rate of voltage:	≤1.0%
The regulating rate of steady frequency:	≤5%
regulating rate of instantaneous frequency:	≤±10%
The time of steady frequency:	3sec
The waving rate of frequency:	≤1%

Data Sheet**Control panel****Optional:** DSE3110, DSE6020, HGM6110, HGM6120.....

- ☆ Compact genset controller for single genset operating in standby mode;
- ☆ Meets all requirements for Auto Mains Failure (AMF) applications;
- ☆ Full gen-set monitoring and protection;
- ☆ Running hours event and performance log;
- ☆ Multiple languages (user changeable) in controller, even more in installation suite;
- ☆ Web Supervisor, Air Gate and Locate support*
- ☆ Plug-in extension modules capability;
- ☆ Automatic SMS on alarm or event & gen-set control over SMS*;
- ☆ Supports prime mover (MRS) applications;
- ☆ Automatic and manual GCB and MCB control;
- ☆ Optional GSM/GPRS modem/wireless Internet via IL-NT GPRS
- ☆ D+ pre-excitation terminal;

Note: All data sheets are for reference only and subject to change without prior notice.